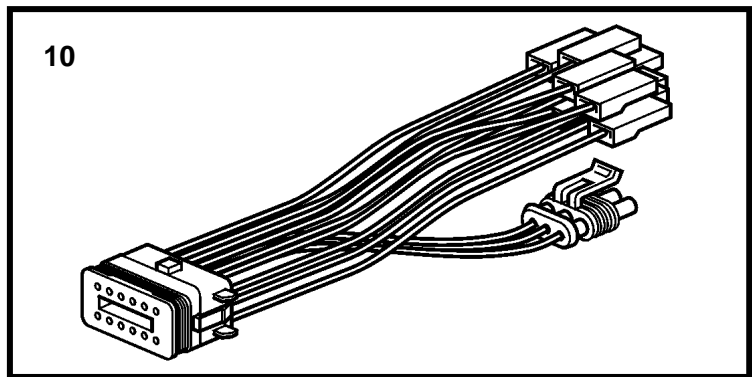
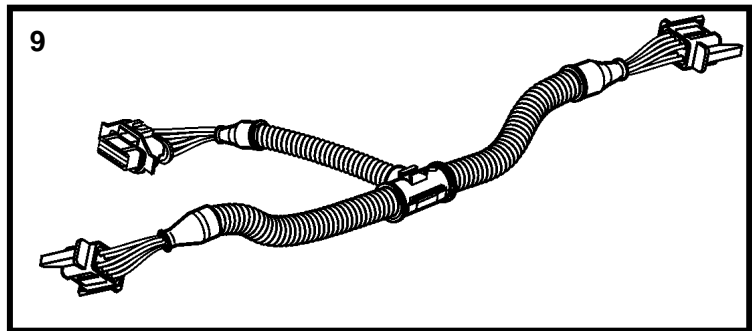
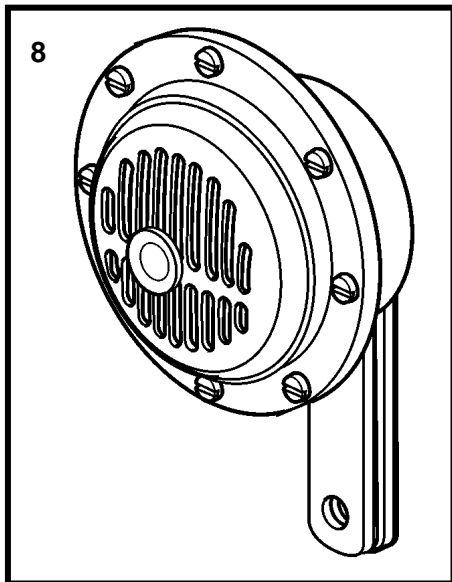
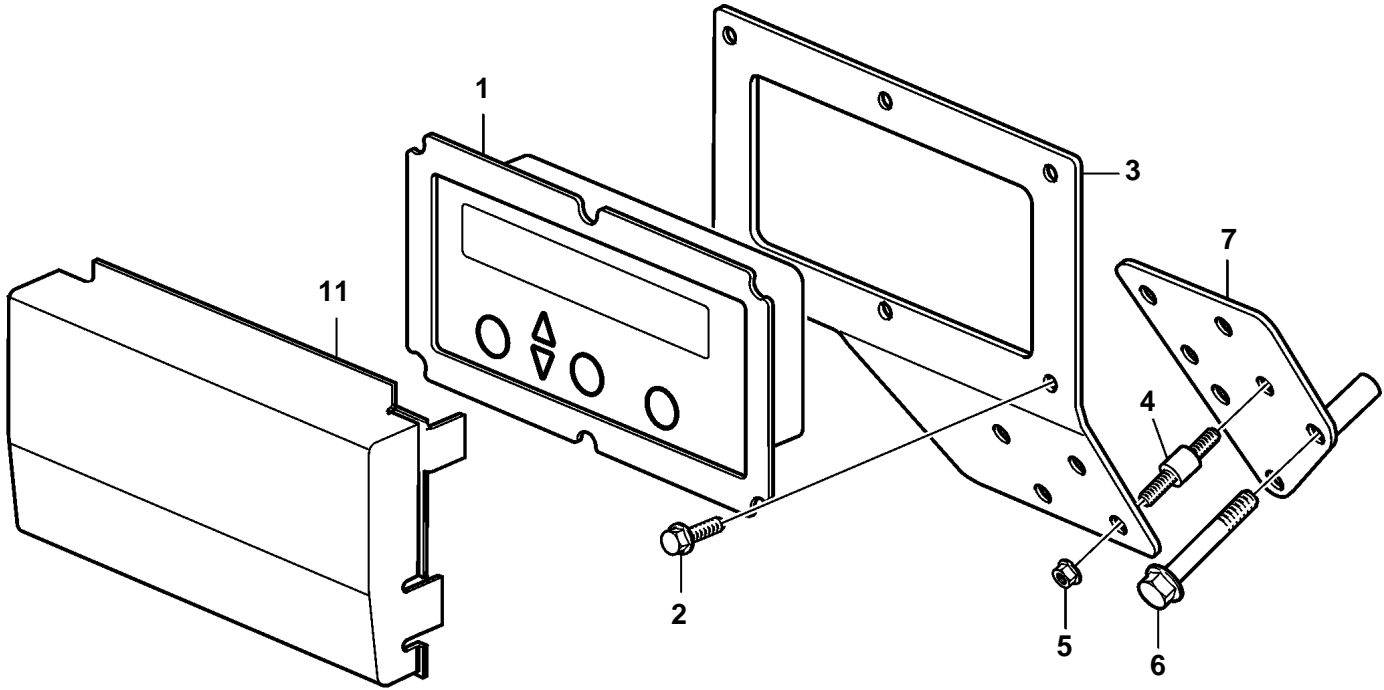


TAD1641VE, TAD1642VE



TAD1641VE, TAD1642VE

REF	PART NO.	QTY	DESCRIPTION	SEE SEC.
1	881776	1	Control unit, dcu	
2	965200	6	Flange screw	
3	3829181	1	Bracket	
4	3574797	4	Rubber cushion	
5	945407	8	Flange nut	
6	975127	3	Flange screw	
7	3836697	1	Bracket	
8		1	Horn	6965
9	3588710	1	Cable harness	
10	3807270	1	Cable harness	
11	3588333	1	Protecting casing	